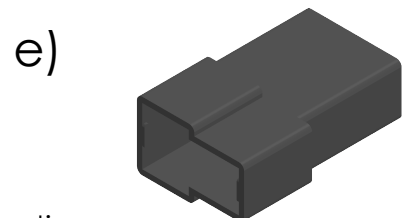
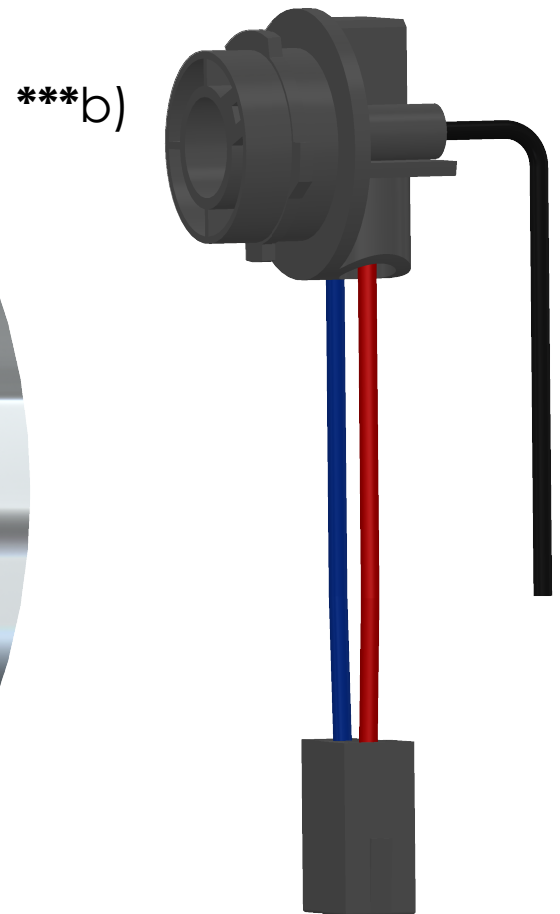
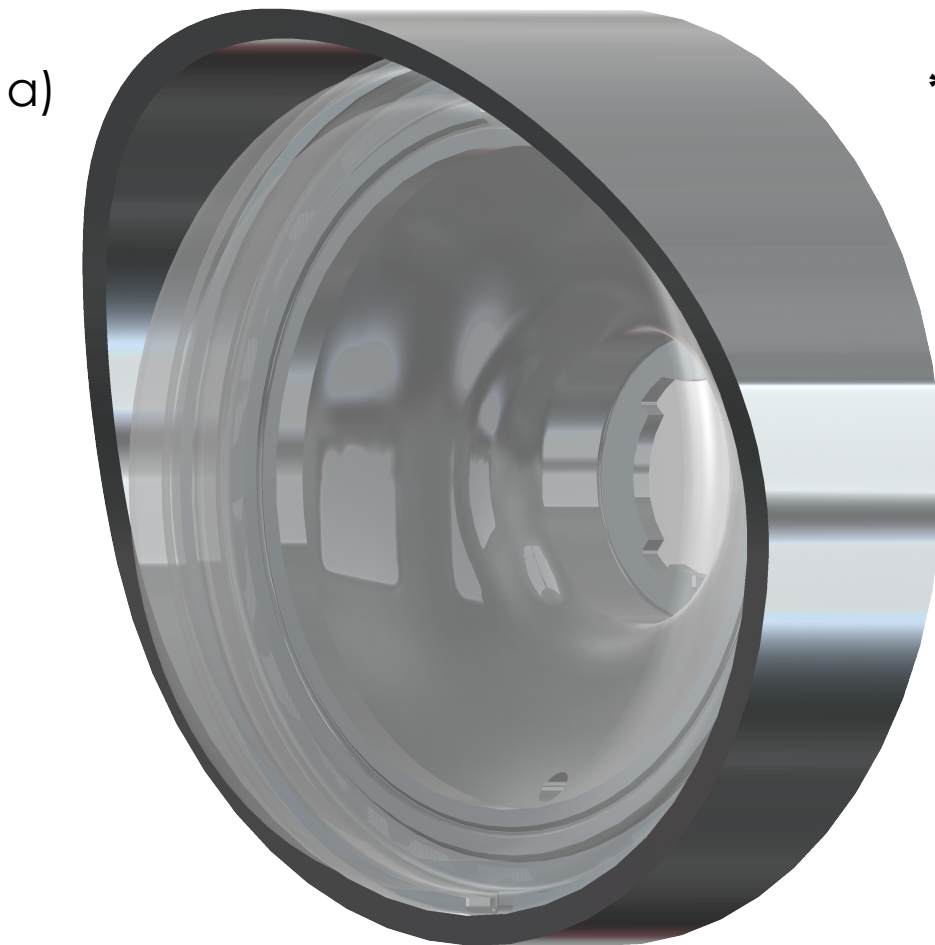


Billet Front Parking Lamps

1970 - 1973 Chevrolet Camaro RS

*What's Included:

- ** a) (2) Billet Camaro RS Front Marker Lamp
- *** b) (2) Plug & play connector
- c) (4) M6 bolt with flat washer
- d) (4) Washers
- e) (2) Female connector (optional install)



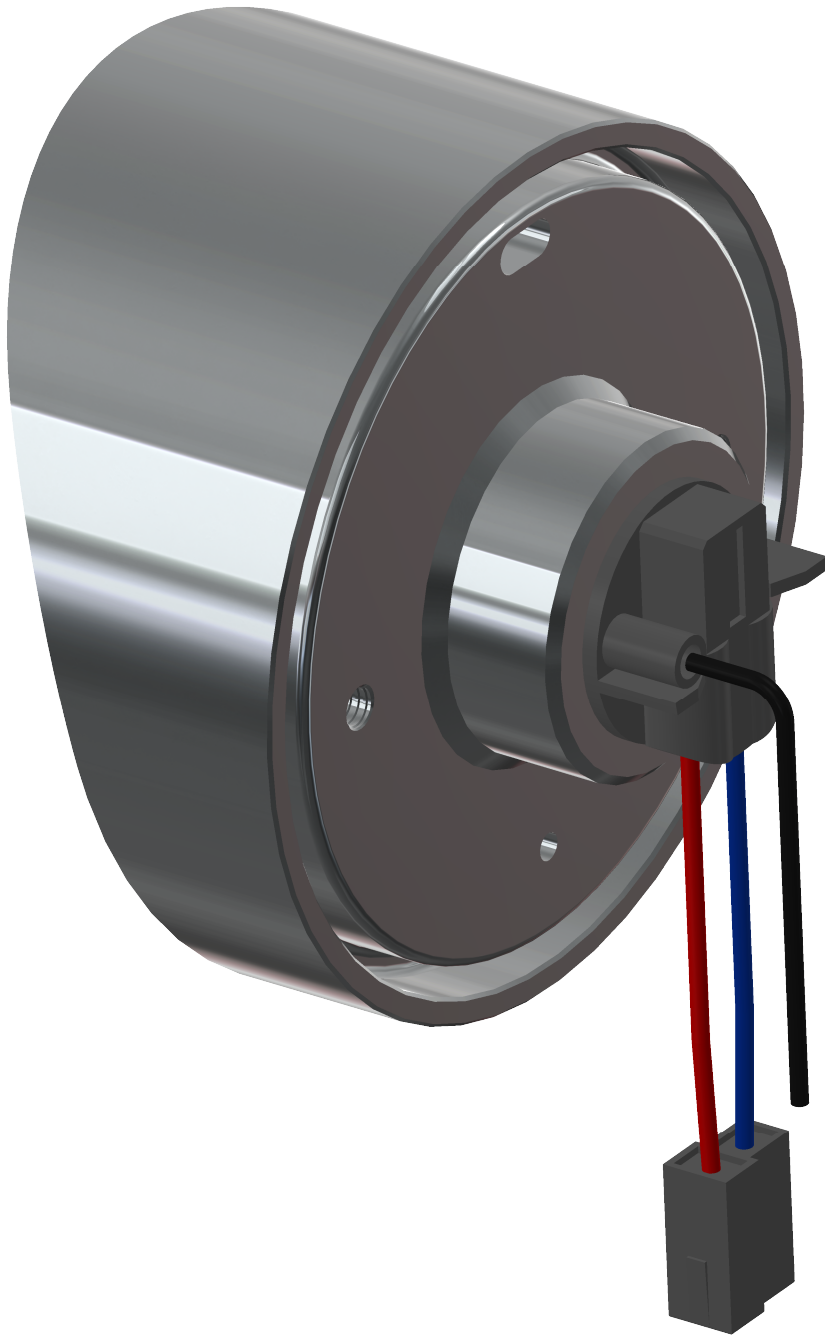
*Halo and bulb not shown as they are dependent on selected configuration.

Illustration for graphical purposes only, it **DOES NOT depict exact unit.

***Illustration for graphical purposes only, it **DOES NOT** depict actual length of wires.

Front Marker Lamps

1970 - 1973 Chevrolet Camaro RS



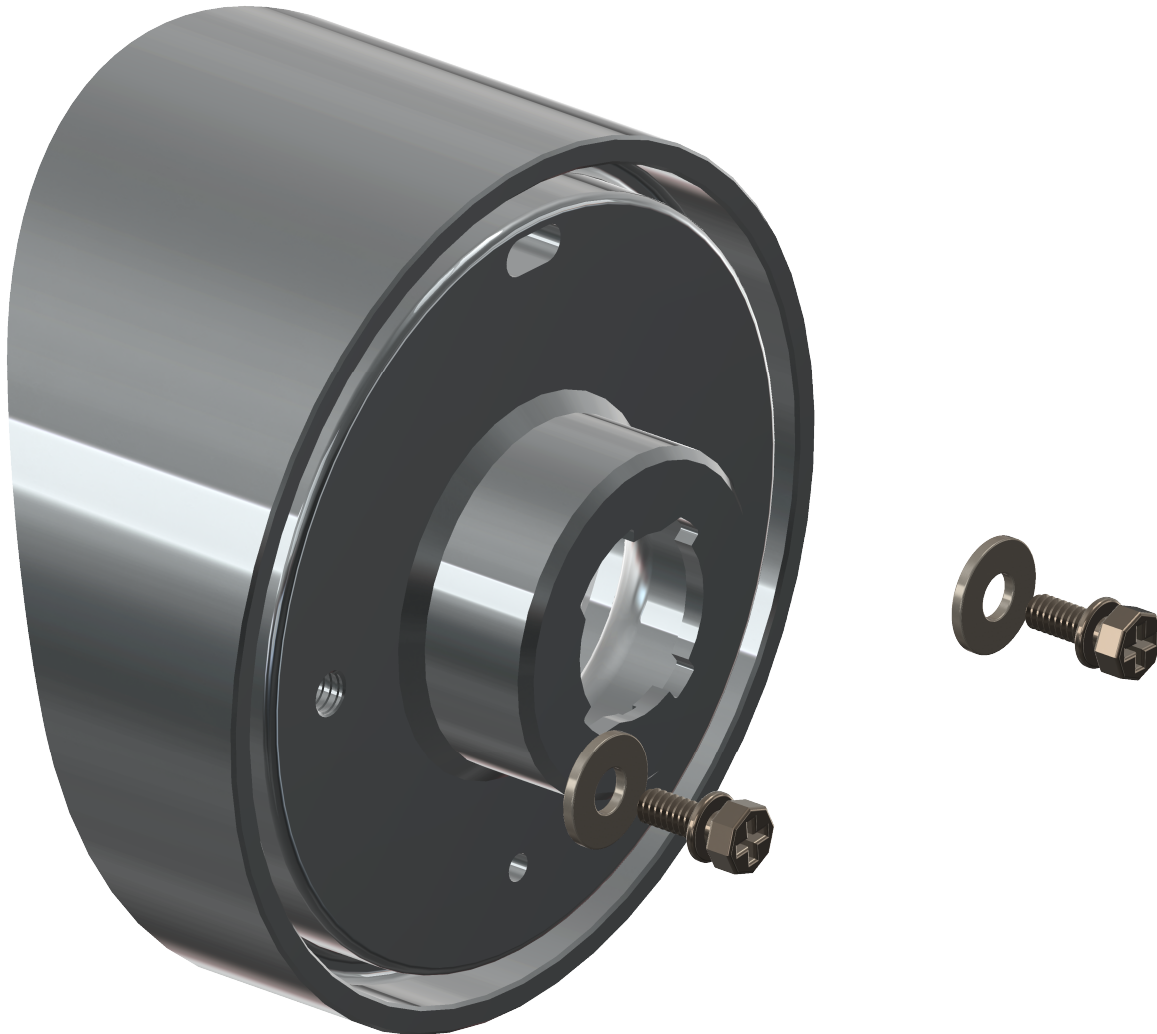
*Wires shown:

- Black to ground
- Blue & red to included plug & play connector

*Illustration for graphical purposes only, it **DOES NOT** depict actual length of wires.

Front Marker Lamps

1970 - 1973 Chevrolet Camaro RS



Installation:

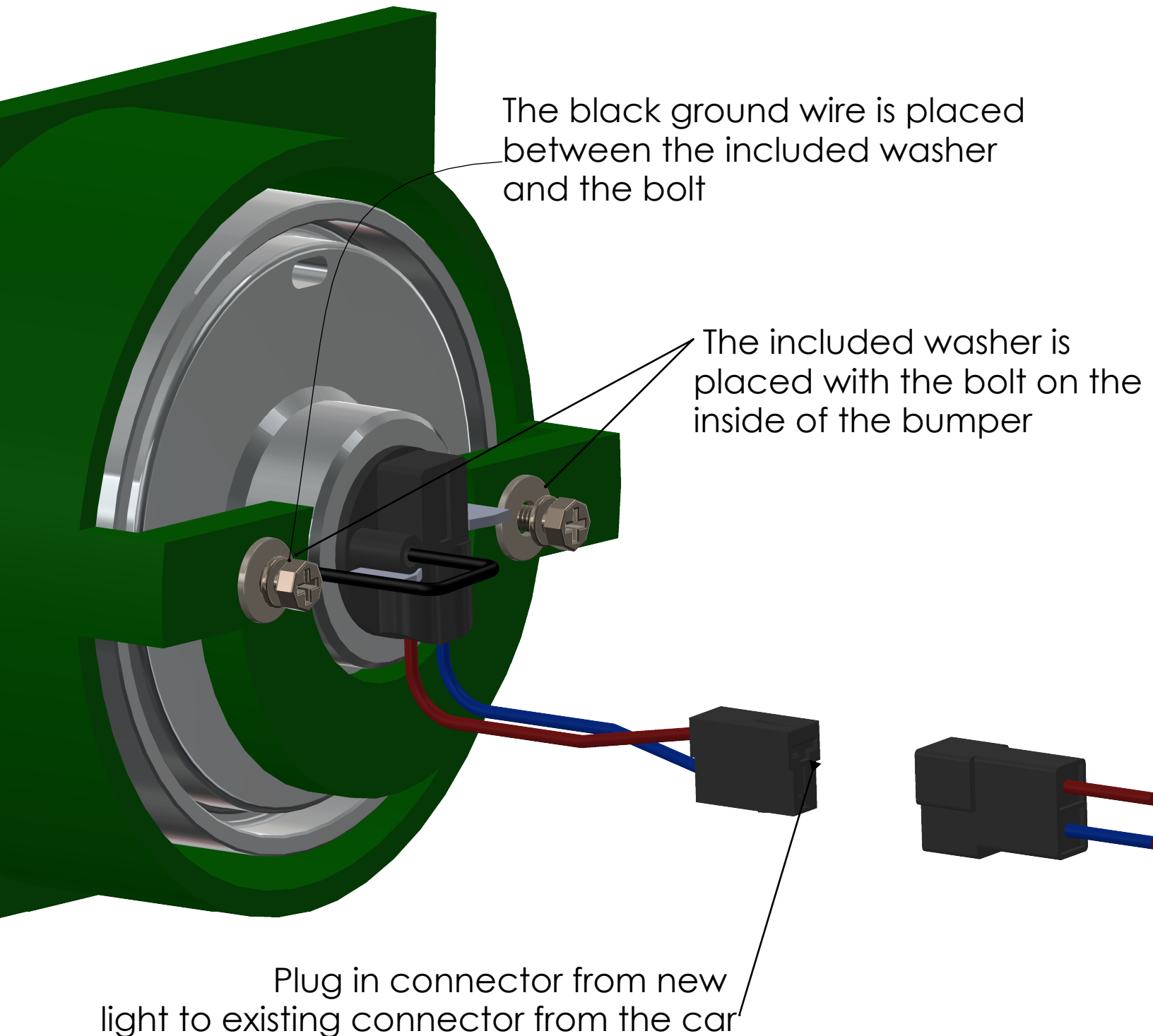
- 1) Use the included bolts and washers to attach the light to the bumper.
- 2) Plug in the attached wiring harness.
 - a) The black ground wire end can be placed between the washer and the bolt.
 - b) Plug in the male connector from the new light to the existing female connector from the car.

Example diagram shown on next page.

Front Marker Lamps

1970 - 1973 Chevrolet Camaro RS

Example Diagram:



Front Marker Lamps

1970 - 1973 Chevrolet Camaro RS



Optional Install:

The additional female connector included can be used to replace your OEM light connector for a better fit.

- 1) Take note of the wiring connection coming from the car. Repinning the connector with the incorrect position may cause the light to not function properly.
- 2) Depin your existing connector coming from the car
- 3) Insert the pins coming from the car into the new connector, making sure the wires remain in the same locations.